



VICTORY BEAR PRODUCTS

WEATHER-TITE FLASHING (WTF)
INSTALLATION GUIDE

www.victorybear.com

WTF SYSTEM COMPONENTS

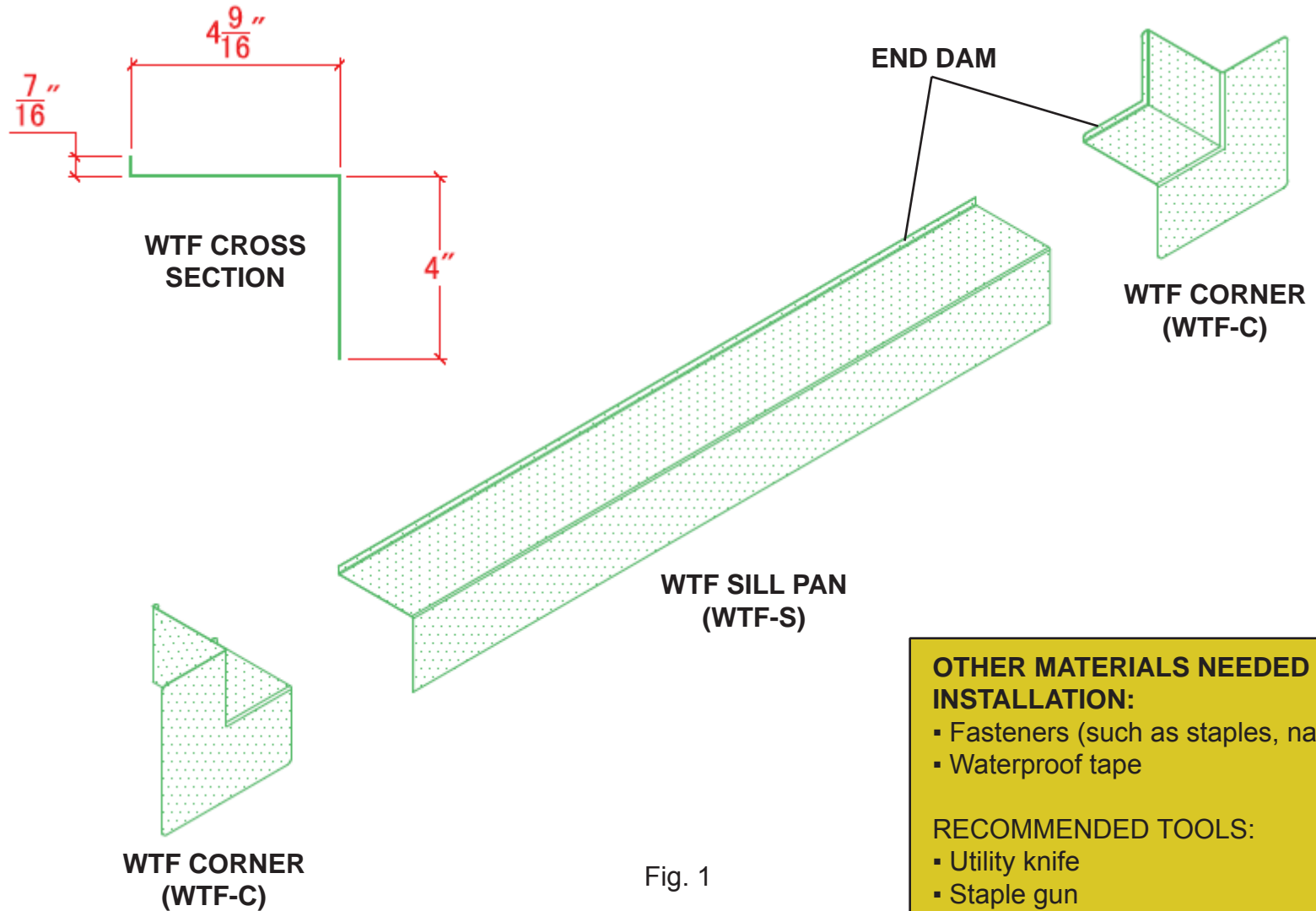


Fig. 1

OTHER MATERIALS NEEDED FOR INSTALLATION:

- Fasteners (such as staples, nails, etc.)
- Waterproof tape

RECOMMENDED TOOLS:

- Utility knife
- Staple gun



VICTORY BEAR PRODUCTS

WEATHER-TITE FLASHING (WTF)
INSTALLATION GUIDE
www.victorybear.com

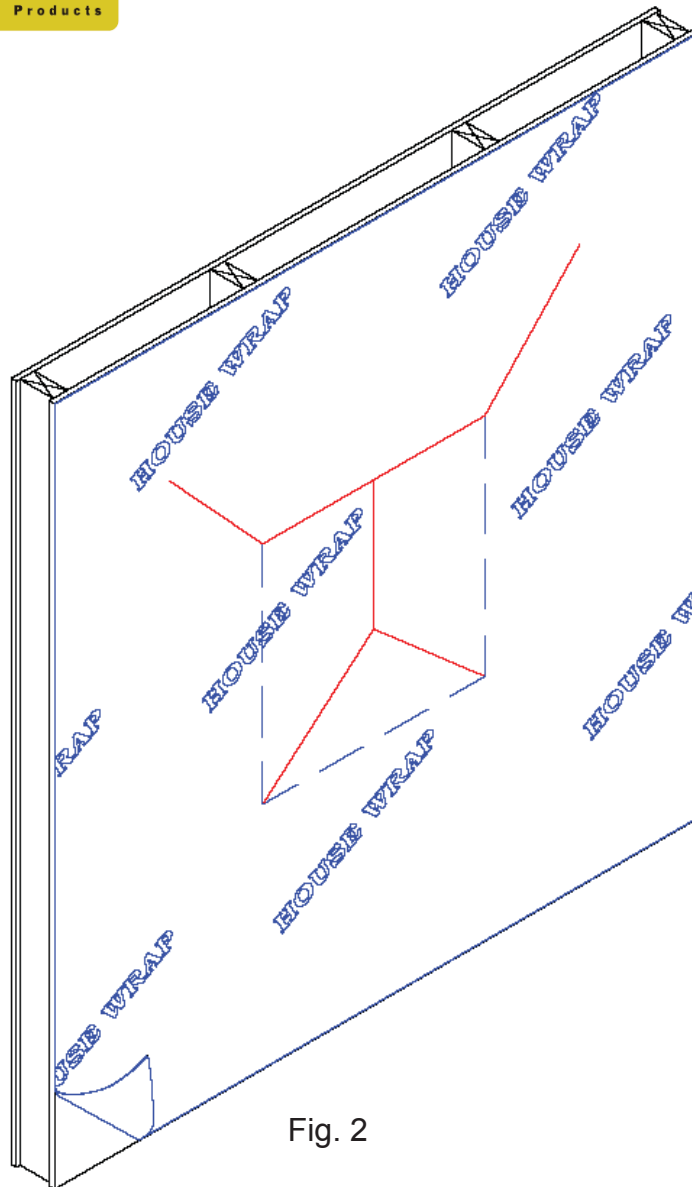


Fig. 2

HOUSEWRAP PREPARATION

Using a utility knife, make cuts in the housewrap as indicated by the red lines in Fig. 2.

- — — — Outline of rough window opening
- Cuts

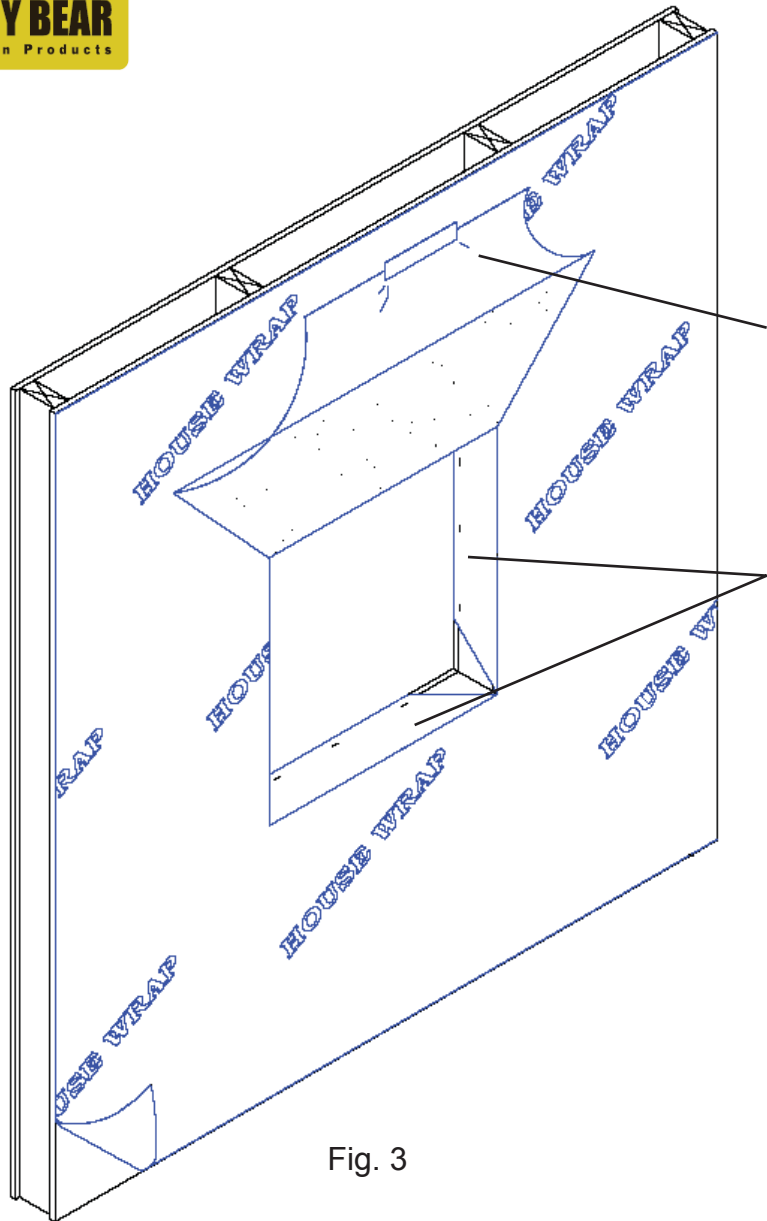


VICTORY BEAR PRODUCTS

WEATHER-TITE FLASHING (WTF)
INSTALLATION GUIDE

www.victorybear.com

HOUSEWRAP PREPARATION (Continued)



Fold up top flap to expose sheathing and fasten into place with tape.

Fold in side and bottom flaps and fasten into place with staples or nails.

Fig. 3



VICTORY BEAR PRODUCTS

WEATHER-TITE FLASHING (WTF)

INSTALLATION GUIDE

www.victorybear.com

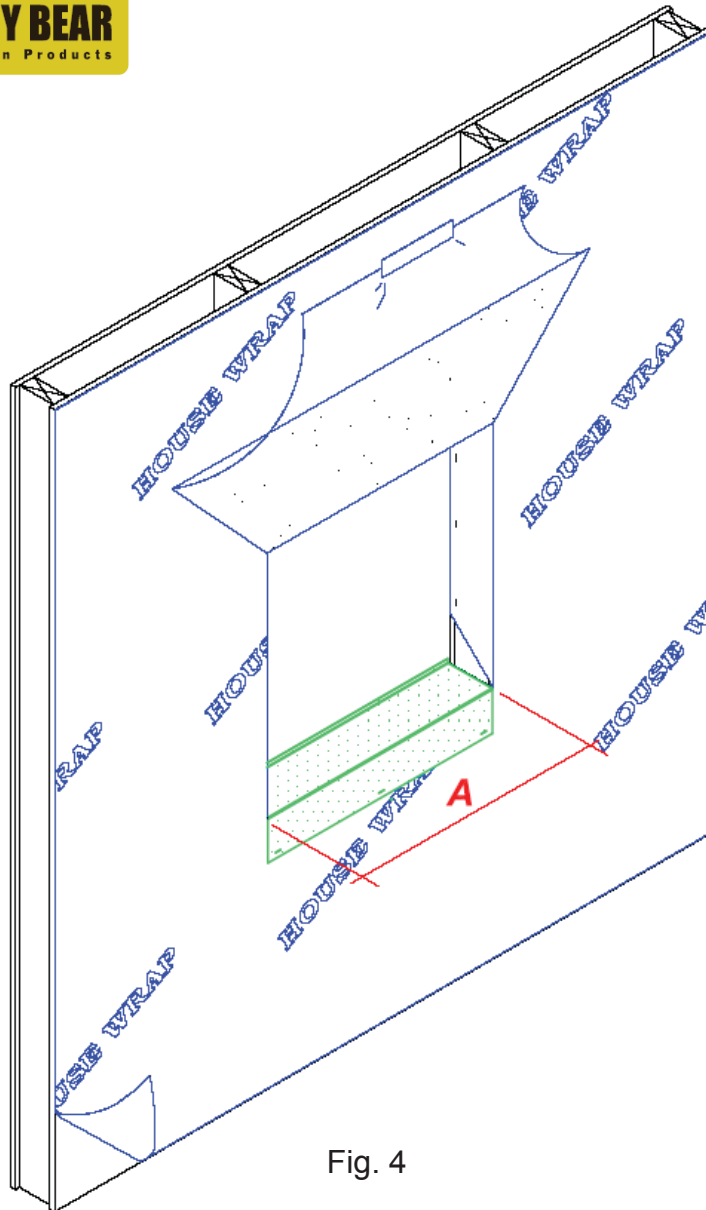
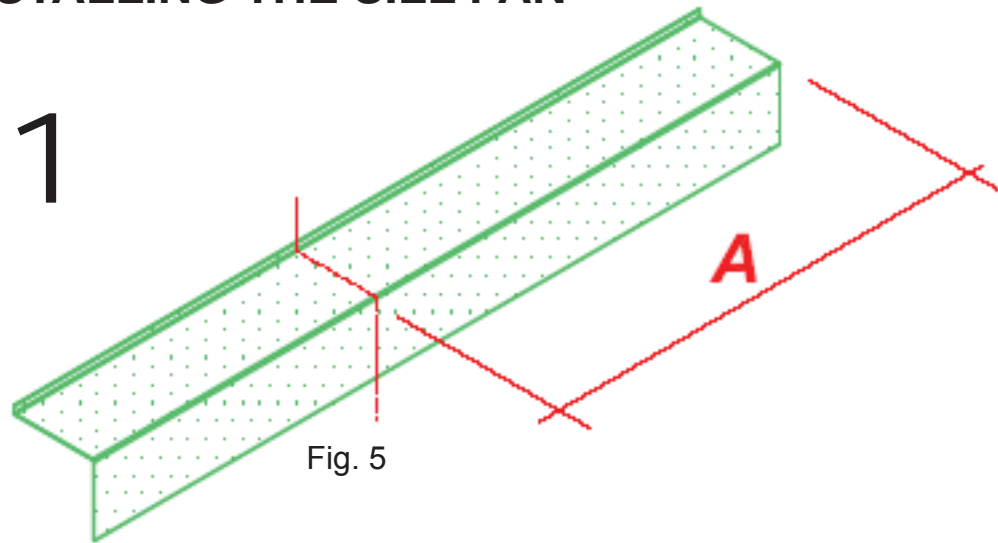
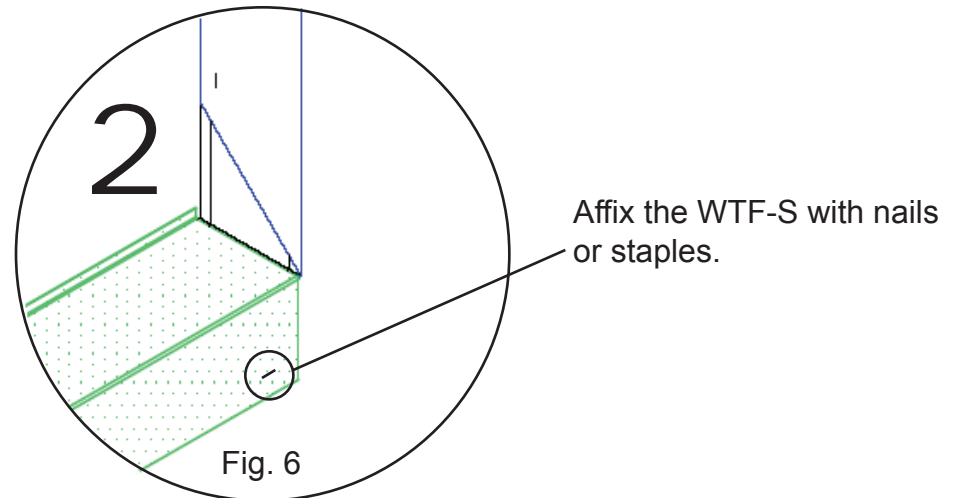


Fig. 4

INSTALLING THE SILL PAN



Using a utility knife or circular saw, cut the WTF-S to match the length of the window sill.





VICTORY BEAR PRODUCTS

WEATHER-TITE FLASHING (WTF)
INSTALLATION GUIDE

www.victorybear.com

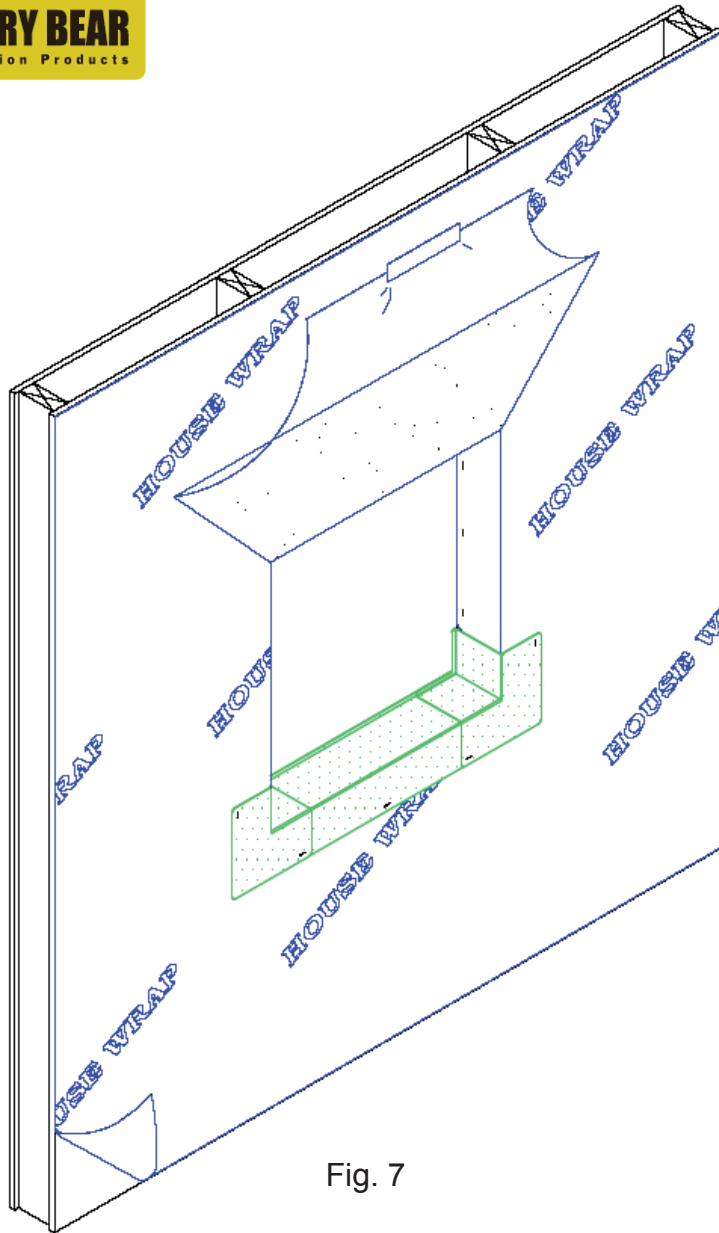


Fig. 7

INSTALLING THE CORNERS

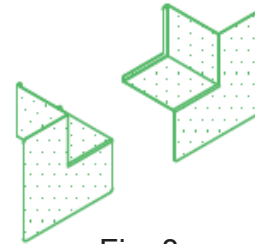


Fig. 8
WTF Corners (WTF-C)

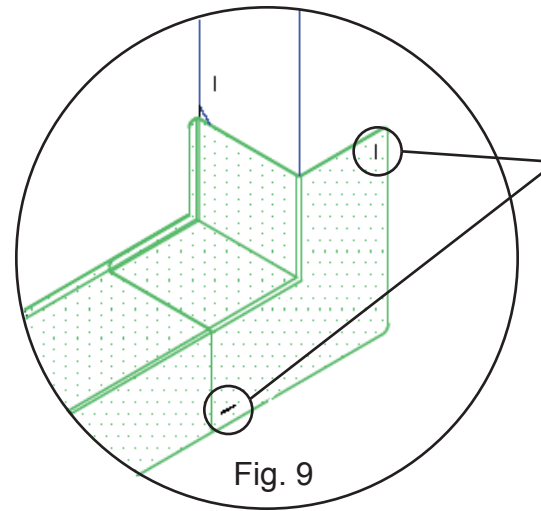


Fig. 9

Set WTF-C into place over the WTF-S and nail or staple into place as shown in Fig. 9.



VICTORY BEAR PRODUCTS

WEATHER-TITE FLASHING (WTF)

INSTALLATION GUIDE

www.victorybear.com

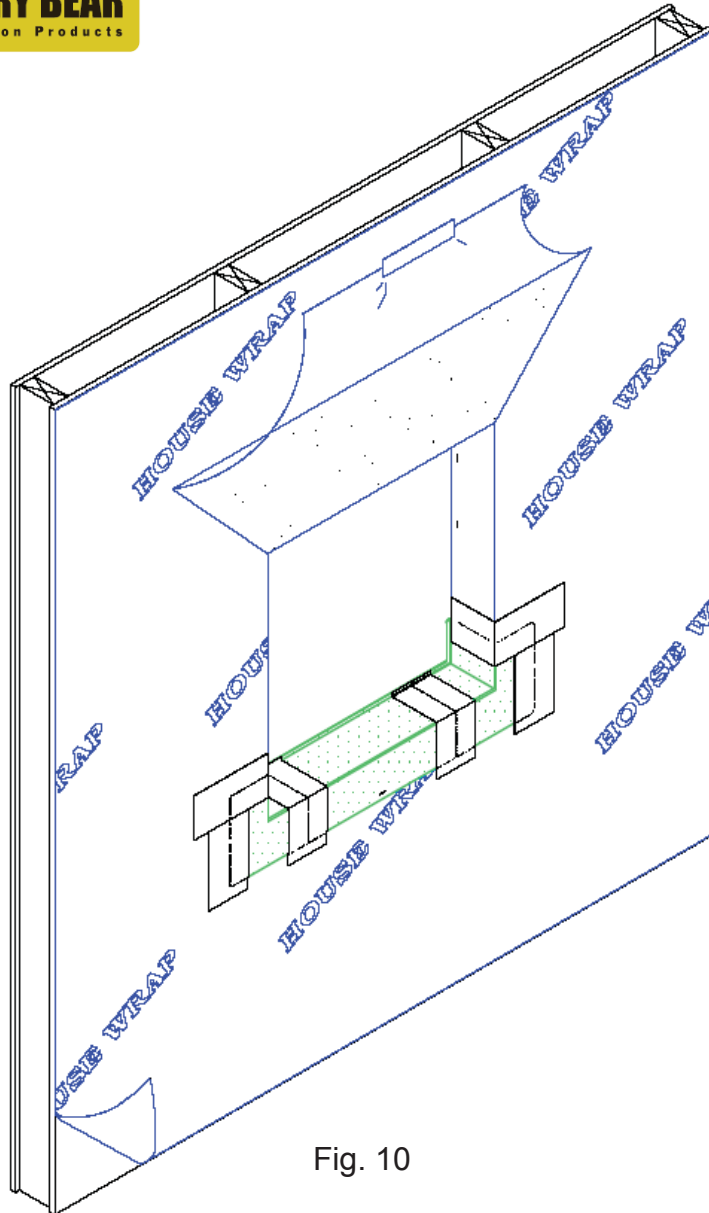


Fig. 10

APPLYING THE TAPE

Seal joints and seams as shown in Fig. 10 -11 with waterproof tape.

Make sure tape is secure to prevent any water from penetrating behind the tape or flashing.

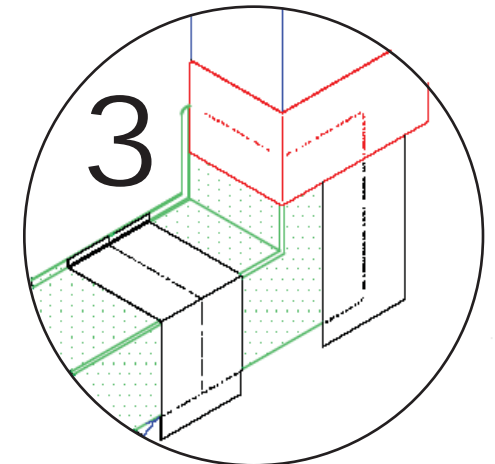
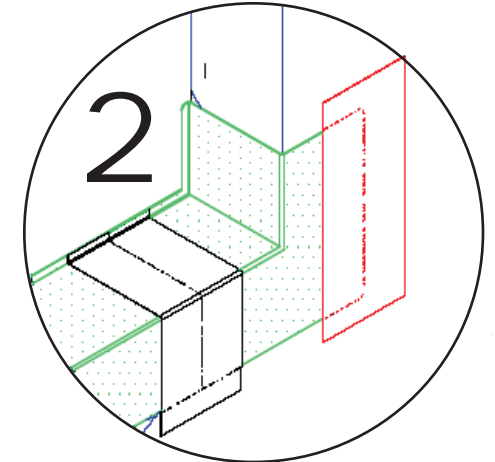
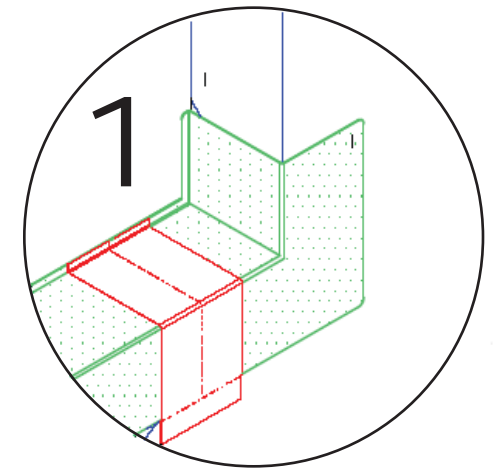


Fig. 11



VICTORY BEAR PRODUCTS

WEATHER-TITE FLASHING (WTF)

INSTALLATION GUIDE

www.victorybear.com

APPLYING THE TAPE (Continued)

Cover any staples and/or nails in the WTF-S and WTF-C with waterproof tape as well.

Note: Do not cover the entire bottom seam with waterproof tape. Doing so could cause moisture to become trapped underneath the WTF Flashing.

Installation of the Weather-Tite Flashing system is now complete.

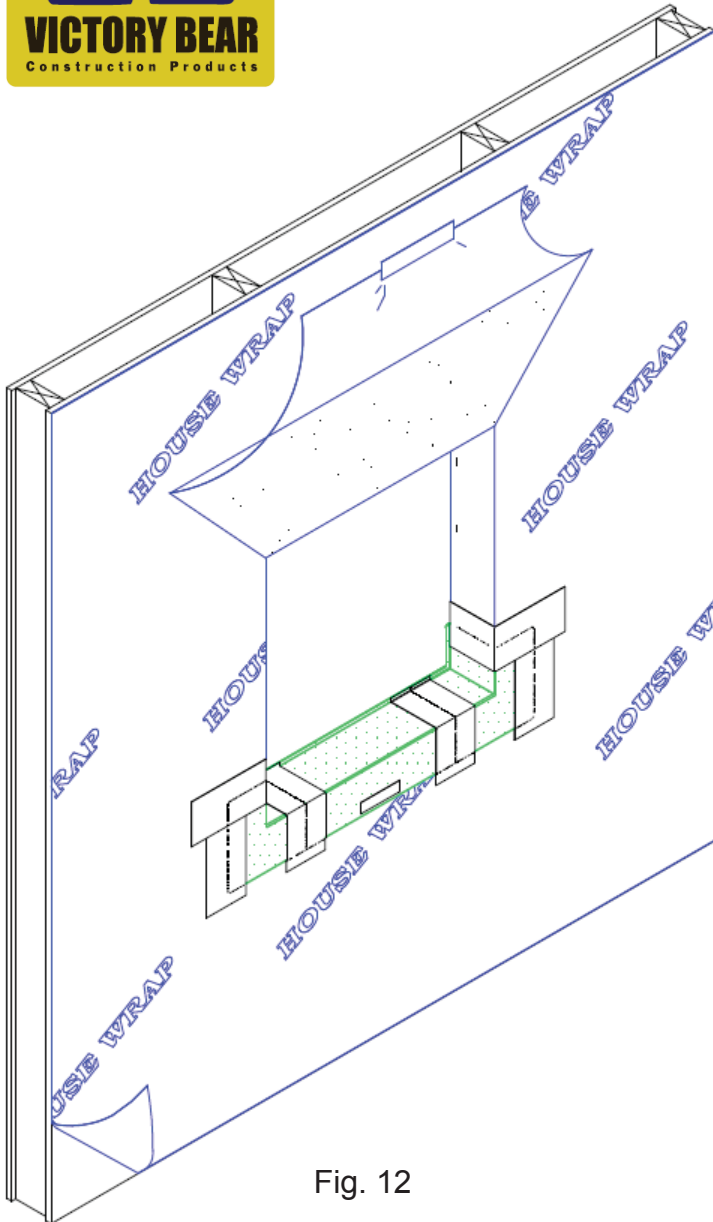


Fig. 12

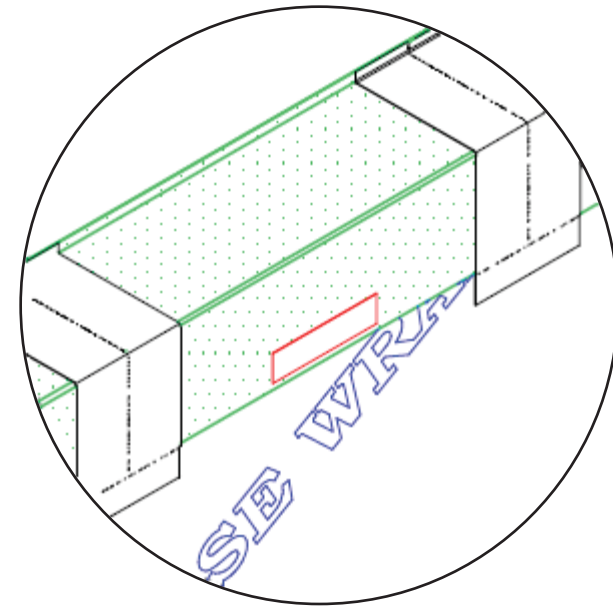
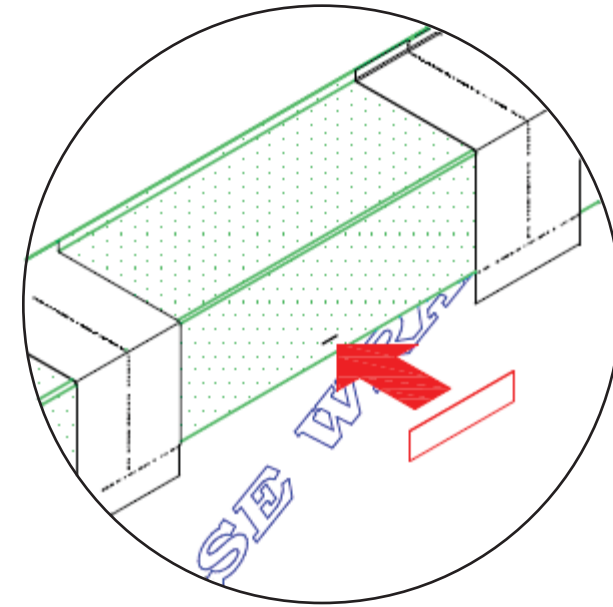


Fig. 13



VICTORY BEAR PRODUCTS

WEATHER-TITE FLASHING (WTF)

INSTALLATION GUIDE

www.victorybear.com

CONTACTS

VICTORY BEAR CONSTRUCTION PRODUCTS

Potential agents or distributors call:

Mark Brown, National Sales Manager
(937) 236-7288, ext. 232
mbrown@fukuvi-usa.com

Customer Service:

Jon Dresel
(937) 236-7288, ext. 231
jdresel@fukuvi-usa.com

Aaron Heskett
(937) 236-7288, ext. 247
aheskett@fukuvi-usa.com

U.S. Headquarters:

Victory Bear Construction Products
7631 Progress Court
Huber Heights, OH 45424

FUKUVI USA, INC. CUSTOM PROFILE EXTRUSION

For custom profile extrusions, call:

Jon Dresel, OEM Product Sales
(937) 236-7288, ext. 231
jdresel@fukuvi-usa.com

Customer Service:

Aaron Heskett
(937) 236-7288, ext. 247
aheskett@fukuvi-usa.com

U.S. Headquarters:

Fukuvi USA, Inc.
7631 Progress Court
Huber Heights, OH 45424

West Coast Sales Office:

Daniel Ito, Sales/Customer Service
(949) 215-2477
ito@fukuvi-usa.com

22961 Triton Way, Suite G
Laguna Hills, CA 92653

www.fukuvi-usa.com