

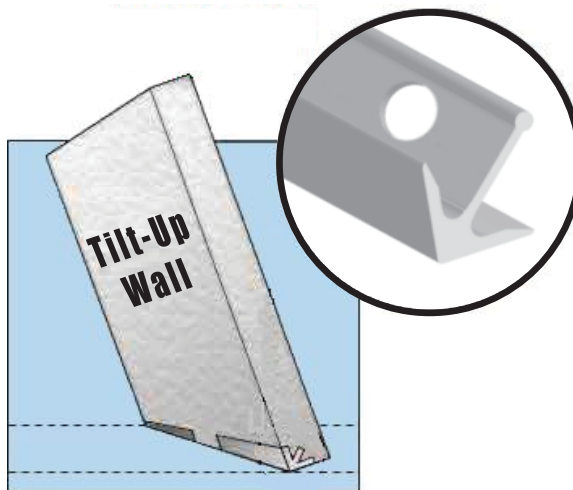
For Tilt-up
Construction

SLAB SAVER FLOOR PROTECTOR

Victory Bear is an innovative concrete product supplier with deep roots in the tilt-up, pre-cast, and cast-in-place industries. We offer the most complete line of tilt-up profiles in the industry

Victory Bear is a leader in innovative exterior concrete designs – creating products, for now and for the future, that will provide the tilt-up and pre-cast industry with unique options. Our products provide flexibility to designers to allow for a variety of design configurations in a variety of building types.

Victory Bear Slab Savers provide an effective and easy way of protecting your floors from damage when walls are lifted. Installation is quick and simple, and the result is a smooth, clean floor that **saves you time and labor** after the tilt!



Benefits

- **Eliminates Floor Repairs** – When you use Victory Bear Slab Saver you virtually **eliminate the need for floor repairs**. Crews do not need to spend time repairing floors after the wall is lifted because the Slab Saver has protected the floors from installation-related damage.

PROTECT YOUR FLOORS!

Fukuvi USA, Inc.
Victory Bear Products
7631 Progress Court
CenterPoint 70 Commerce Park
Huber Heights, OH 45424

www.fukuvi-usa.com
www.victorybear.com



MADE IN USA

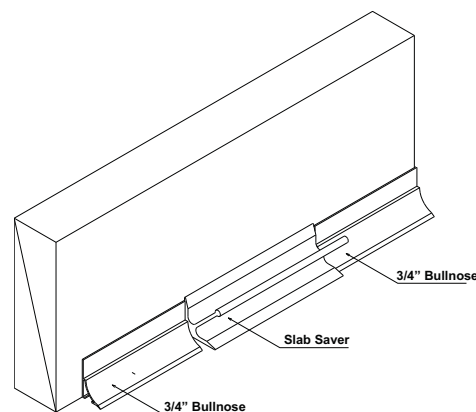
Customer Support
(937) 236-7288 ext. 247/231
aheskett@fukuvi-usa.com
jdresel@fukuvi-usa.com
Fax: (937) 236-7289

For Tilt-up
Construction

SLAB SAVER FLOOR PROTECTOR

Installation

- **Step 1** – Select 24” lengths of Slab Saver.
- **Step 2** – Set the Slab Saver into the form 18” from each end and one in the middle. If the panel is wider than 20’ add one additional Slab Saver for each additional 5 feet.
- **Step 3** – Pour concrete as usual. Normal vibration of the concrete ensures it will correctly surround the Slab Saver.
- **Step 4** – Slab Saver stays with the wall - there’s no need to remove it.



Coefficient of Linear Expansion:
0.0132 inches per degree F

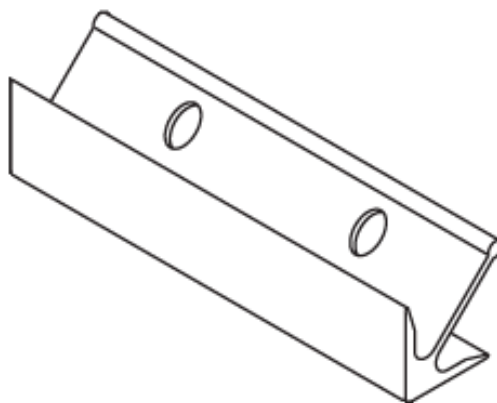
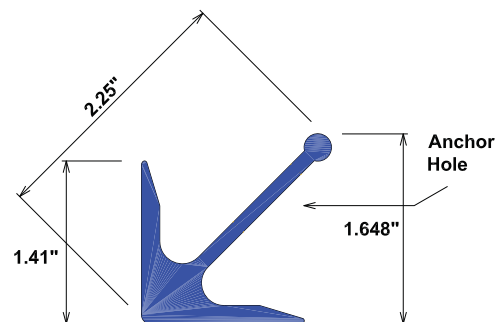
Length: 24 inches

Packaging: 42 pieces per box

Weight: 0.81 LB/LF

Storage: Materials should be stored out of direct sunlight to prevent long-term deterioration or color fading. Pieces can be stacked, but should be stored fully supported to keep them from warping.

Slab Saver Cross Section



Fukuvi USA, Inc.
Victory Bear Products
7631 Progress Court
CenterPoint 70 Commerce Park
Huber Heights, OH 45424

www.fukuvi-usa.com
www.victorybear.com



MADE IN USA

Customer Support
(937) 236-7288 ext. 247/231
aheskett@fukuvi-usa.com
jdresel@fukuvi-usa.com
Fax: (937) 236-7289