

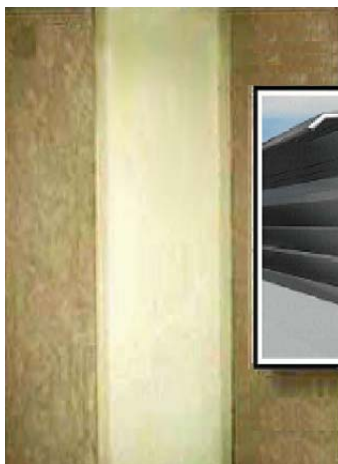
For Precast
& Tilt-up
Construction

JOINT COVERS

Victory Bear is an innovative concrete product supplier with deep roots in the tilt-up, pre-cast, and cast-in-place industries. We offer the most complete line of tilt-up profiles in the industry.

Victory Bear is a leader in innovative concrete designs – creating products, for now and for the future, that will provide the tilt-up and pre-cast industries with unique options. Our products provide flexibility to designers, allowing for a variety of design configurations in a variety of building types.

Victory Bear Joint Covers are attractive, durable PVC inserts, ideal for covering 1/4” to 1” gaps between *interior* panel joints in precast or tilt-up concrete walls. This **eliminates** the need for expensive joint-caulking material and labor.



Features & Benefits

- **Save Time and Money** – Simply insert the Joint Cover into the wall joint for a secure fit. There’s no longer a need to caulk between joints!
- **Eliminates Gaps** – Joint Covers fit tightly into the grooves to cover the panel joints.
- **Looks Great** – Victory Bear Joint Covers are manufactured with a smooth, attractive surface which is ready to install, right out of the box, in standard gray or special order white.
- **Can Be Painted** – If a custom color is required, the Victory Bear Joint Covers can be primed and painted.



Fukuvi USA, Inc.
Victory Bear Products
7631 Progress Court
CenterPoint 70 Commerce Park
Huber Heights, OH 45424

www.fukuvi-usa.com
www.victorybear.com



MADE IN USA

Customer Support
(937) 236-7288 ext. 247/231
aheskett@fukuvi-usa.com
jdresel@fukuvi-usa.com
Fax: (937) 236-7289

For Precast
& Tilt-up
Construction



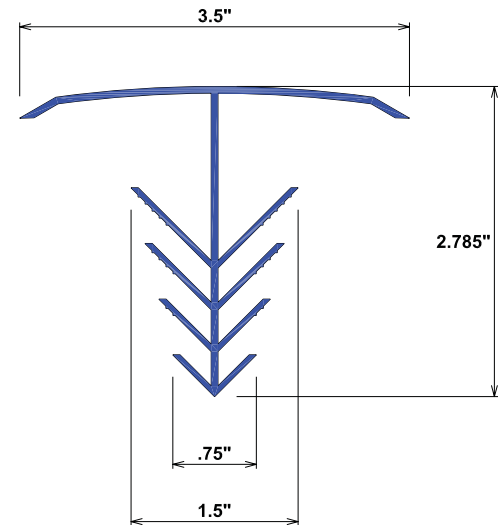
JOINT COVERS

Installation

- **Step 1** – Align the center “V” nose with the center of the joint and apply pressure starting from one end and working toward the other end.
- **Step 2** – Once Joint Cover has been started, the face can be hammered into position using a hammer onto a protective surface, such as a wood block, to prevent marring of the surface.
- **Step 3** – After installation, Joint Cover may be primed and painted to match existing surfaces, or left alone.

Notes:

1. If joints are less than 1/2 inch wide, it is advisable to cut the vertical leg back and to attach it using a construction adhesive. Follow glue manufacturer’s recommendations for installation procedures.
2. For joints wider than 1 inch, construction adhesive can be used in conjunction with the fastener leg for a more secure connection.



Length: 8 feet

Packing: 12 pieces (96 LF) per box

Coefficient of Linear Expansion:
.0132 inches per degree F

Storage: Materials should be stored out of direct sunlight to prevent long-term deterioration or color fading. Pieces can be stacked, but should be stored fully supported to keep them from warping.

Fukuvi USA, Inc.
Victory Bear Products
7631 Progress Court
CenterPoint 70 Commerce Park
Huber Heights, OH 45424

www.fukuvi-usa.com
www.victorybear.com



Customer Support
(937) 236-7288 ext. 247/231
aheskett@fukuvi-usa.com
jdresel@fukuvi-usa.com
Fax: (937) 236-7289