

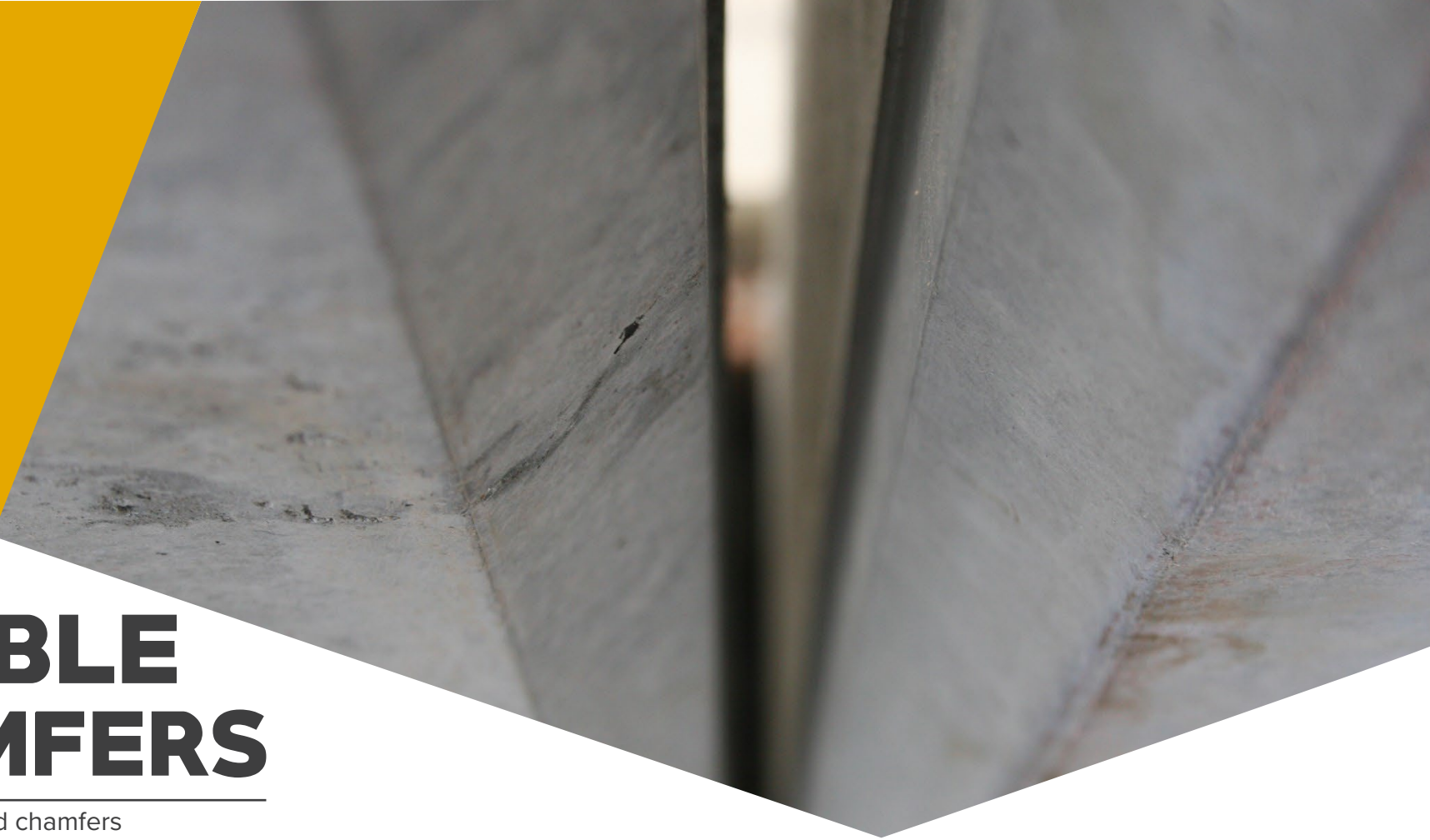


**VICTORY BEAR**  
Construction Products

# DOUBLE CHAMFERS

Our rustications and chamfers produce the cleanest and sharpest finishes in the industry. Victory Bear is a leader in innovative exterior, concrete designs - creating products, for now and for the future, that will provide the tilt-up and per-cast industry with unique profiles. Our products provide flexibility to designers to allow for a variety of design configurations in a variety of building types.

Victory Bear chamfers are manufactured from non-stick PVC - ideal in pre-cast and tilt-up construction for supporting wood forms.



## Flexible Edge Seal



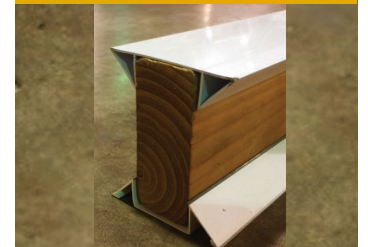
Our Flexible Edge Seal technology fits tightly against the casting surface, preventing concrete seepage while creating sharp, crisp lines.

## New Design



Victory Bear's 2x3/4" Double Chamfer has been redesigned with rigid and flexible PVC for even better performance and value than before.

## New Topside Chamfer



Victory Bear's New Topside Double Chamfer

# DOUBLE CHAMFERS

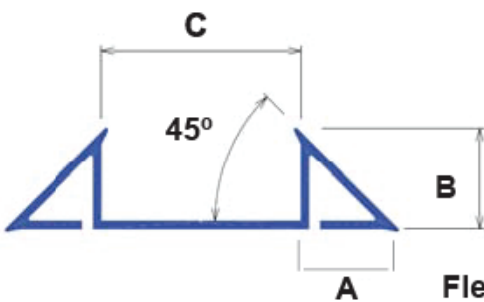


**VICTORY BEAR**  
Construction Products

## CHAMFERS

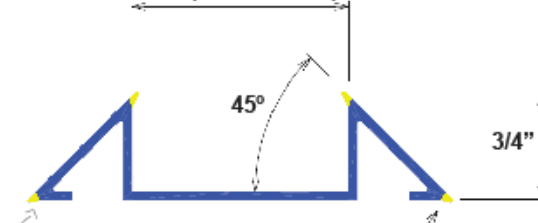
- Step 1- Fasten the chamfers in place using fastener, tape or adhesive.
- Step 2 - Check to ensure that the chamfers edge is pressed firmly against the casting surface.
- Step 3 - Insert lumber along the length. For wood that is swollen beyond standard dimensions, insert one side first against the flex edge then roll the other side into the channel.
- Step 4 - For single chamfer, align chamfer along the form and casting surface. Press firmly against both and staple or nail into place. Nail guns are NOT recommended.

Double Chamfer



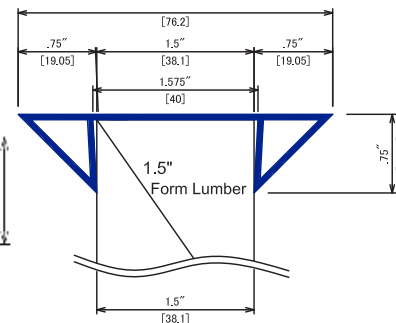
Flex Edge Seal

1.5" (fits 2x board)



New soft PVC Flex-Edge Seal for improved seal against the concrete and board!

Topside Double Chamfer



Part Number	Part Name	Width "A"	Height "B"	Width "C"	Chamfer Angle	Ft/Pc	Pc/Box
767	Bulkhead ¾ - 1 Inch Double Chamfer	0.75"	0.75"	0.75"	45°	8	12
737	Double Chamfer 1.25x3/4	0.75"	0.75"	1.25"	45°	8	36
863	Double Chamfer 2x3/4	0.75"	0.75"	1.5"	45°	8	25
733	Double Chamfer ½"x2"x45°	0.5"	0.5"	1.5"	45°	8	20
755	Double Chamfer 1"x1/2"	0.5"	0.5"	0.75"	60°	8	16
806	Topside Double Chamfer	0.75"	0.75"	1.5"	45°	8	16