

6 - INCH ROUND CORNER

Victory Bear's 6-inch Round Corner provides a simple and easy way to give panel edges a unique and attractive appearance.

FEATURES & BENEFITS

Flexible Edge Seal

-Our Flexible Edge Technology fits tightly against the casting surface, preventing concrete seepage while creating sharp, crisp lines.

Hidden Fastening System

-With Victory Bear there are no finish blemishes from screw heads or excess glue. All screws and glue remnants are hidden under the surface for a sharp, glass-like finish.

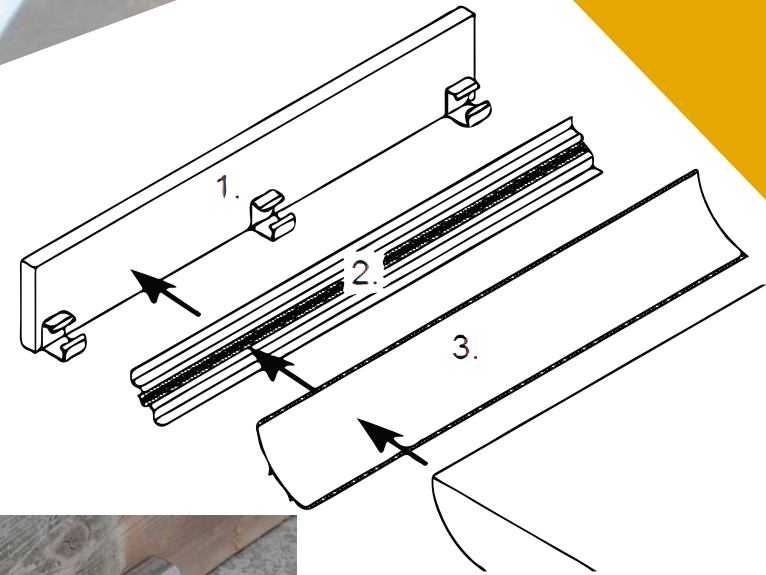
Enhanced Appearance

-Victory Bears innovative design provides an enhanced look and feel to your finished project. This creative, reusable option provides an easier alternative to achieve the same look with wood and at a fraction of the cost.



6-INCH ROUND CORNER

- Step 1 - Starting near the panels edge, place a provided metal bracket every 2-3 feet.
- Step 2 - Place the support clip onto the brackets and screw the clip to the board.
- Step 3 - Snap the radius panel into the support clip and get ready to pour.



VICTORY BEAR
Construction Products